



HDMI 2.0 optical fiber detachable extender, HDFX-350-TR

Description

HDMI 2.0 optical fiber detachable extender, HDFX-350, extends HDMI 2.0 signal up to 200m (656feet) and transmits 4K UHD (4096x2160) at 60Hz over two LC multi-mode fibers. Leading-edge technology of Opticis allows long distance transmission of 4K signal without any video/audio degradation.

HDFX-350 is designed compact enough to be fitted into various installation environments. It gives slim, light, easy installation with perfect electrical isolation, but without any electrical hazard and interference.

High-Retention HDMI connector allows more retention force than standard HDMI connector in order to prevent any accidental disconnection.

HDFX-350 is compliant with HDMI standard features like CEC, EDID and HDCP 2.2 for better installation flexibility and compatibility.

HDFX-350 can be operated by either USB power or DDC 5V power from HDMI source (Tx only). Auto Power-Switching feature makes it more reliable on its power supply. One customized male to female HDMI copper cable (0.2m) is included in the shipping group.

Specification

- Supports HDMI2.0 standards feature
- Extends up to 4K (4096x2160) at 60Hz, (RGB & YCbCr : 4:4:4)
- Transmits HDMI 2.0 data up to 200m (656feet) over one duplex LC multi-mode fiber (OM3)
- Prevents accidental disconnection by using High-Retention HDMI connector
- Operates by either USB Power(Both Tx and Rx) or DDC 5V from HDMI source (Tx only)
- Provides Auto Power-Switching feature
- Supports 3D contents transmission
- Complies with CEC, EDID and HDCP 2.2

Applications

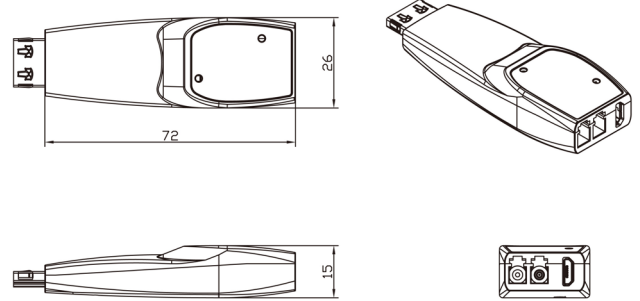
- Medical imaging
- Military
- Digital Signage
- Control room
- Simulator
- Rental staging

HDMI 2.0 optical fiber detachable extender, HDFX-350-TR

Technical Features

Resolution	Up to 4K(4096x2160) at 60Hz,
Bit rate	Up to 6.0 Gbps/ch
Maximum distance	Up to 200m (656feet)
Fiber	2 LC multi-mode fiber (OM3)
Power supplying	External USB power by micro USB to USB cable or DDC 5V from HDMI source(Tx Only)
LED Indicators	TX: power, signal transmission RX: power, signal detection
Power consumption	< 2.5W
Operating temperature	0°C to 50°C
Operating humidity	10~85% RH, non-condensing
Size (LWH)	26 x 72 x 15 mm

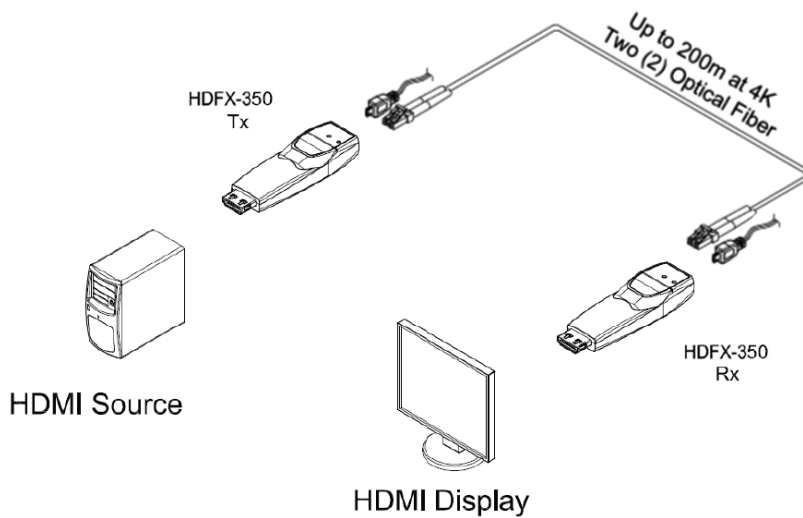
Dimension [mm]



Size: 72 x 26 x 15mm (LWD)

Connection Diagram

4K UHD(4096x2160) @60Hz up to 200m



Optolinks

HQ Address
46 Corporate Park #130
Irvine, CA 92606
949-701-4742
info@Vigillink.com

All contents are subject to be changed without prior notice.