



HDMI 2.0 Detachable ACTIVE OPTICAL CABLE, HDFC-200D

Description

Detachable HDMI 2.0 active optical cable, HDFC-200D, enables to transmit 4K (4096x2160) at 60Hz signal up to 100m (328feet) over plenum graded & LSZH hybrid cable. It avoids any scaling or data compression for lessening a burden of data transmission.

HDFC-200D is designed compact enough to be fitted into various installation environments with cutting edge technology performance.

HDFC-200D offers perfect flexibility during installation by separating HDMI connector part and Active Optical Cable part. It gives slim, light, easy installation like a general copper HDMI cable.

It can be operated by external USB power on the RX side of the cable. Optional USB power cable on TX side is available upon request.

High-Retention HDMI connector, which allows for more retention force than standard HDMI connector, prevents accidental disconnection.

HDFC-200D is compliant with HDMI standards features like CEC, EDID, and HDCP 2.2 for better installation flexibility and compatibility. It also supports HDR to deliver more realistic, and objective video signal.

Specification

- Extends up to 4K (4096x2160) at 60Hz, (RGB & YCbCr : 4:4:4)
- Transmits HDMI 2.0 data up to 100m (328feet) over hybrid cable
- Adopts plenum graded & LSZH (Low Smoke Zero Halogen) hybrid cable
- Offers perfect flexibility during installation by separating HDMI connector from cable
- Prevents accidental disconnection by using High-Retention HDMI connector
- Supports 3D contents transmission
- Supports HDMI2.0 standards feature
- Complies with CEC, EDID, and HDCP 2.2
- Supports HDR at 10 bit or 12 bit speeds respectively within its maximum bandwidth, 18Gbps

Applications

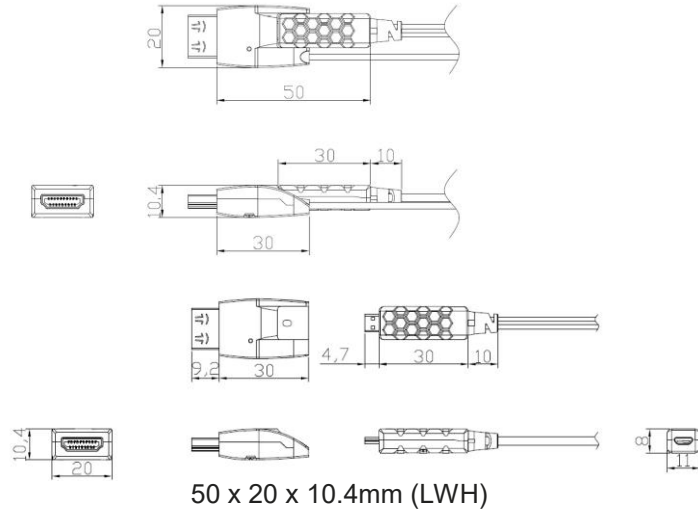
- Home AV
- Digital Signage
- Control room
- Conference room
- Rental staging

HDMI 2.0 Detachable ACTIVE OPTICAL CABLE, HDFC-200D

Technical Features

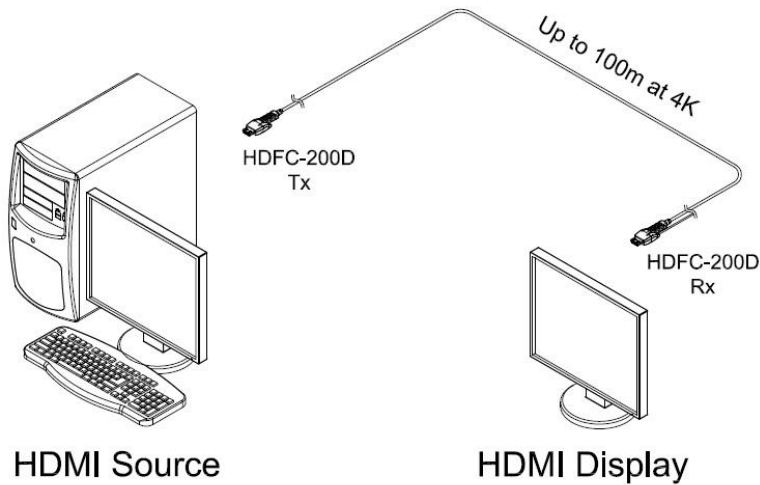
Resolution	Up to 4K(4096x2160) at 60Hz
Bit rate	Up to 6.0 Gbps/ch
Maximum distance	Up to 100m (328feet) @4K, 60Hz
Cable	Plenum graded & LSZH hybrid cable (optical fiber + copper cable)
Power supplying	USB power on RX side
LED Indicators	TX / RX power
Power consumption	< 1.6W
Operating temperature	0°C to 60°C
Size (LWH)	50.0 x 20.0 x 10.4 mm

Dimension [mm]



Connection Diagram

4K (4096x2160) @60Hz up to 100m



Example: PC and Display Set-up

TX: PC, laptop, or media player

RX: Monitor, TV and Projector that has USB input

Optolinks

HQ Address
46 Corporate Park #130
Irvine, CA 92606
949-701-4742
info@VigilLink.com

All contents are subject to be changed without prior notice.