



## One (1) Fiber Detachable DVI Extender, DVFX-110-TR

### Description

OPTICIS One (1) fiber series is leading the trend in broad range of applications. Detachable DVI Extender, DVFX-110 is easy to connect to your existing system, giving you and your customers the confidence that you have the best solution in the market.

DVFX-110 is capable of driving uncompressed WUXGA (1920x1200) 60Hz DVI signal up to 1,500m (4,920ft) over one (1) single-mode or 500 meters (1,640ft) over multi-mode fiber. For better installation flexibility, it features patent pending Auto-EDID management which allows reading and restoring the data by just plugging the transmitter to the display.

The key features of DVFX-110 is, by using an optical passive splitter (OPS-116S), one(1) signal from the transmitter can be copied up to 16 times and it gives you a cost effective and space saving installation for various application.

The OPTICIS DVFX-110 is certified with IEC60601-1-2, FCC/CE and Class 1 Eye LASER Safety.

The Opticis One (1)-fiber detachable DVI extenders, DVFX-100, guarantees an advanced connectivity solution with fundamental features that will significantly benefit in the technology and cost to industry participants.

### Specification

- Supports up to **WUXGA (1920x1200) @60Hz**.
- Supports bit rate up to **1.62Gbps/ch**.
- Transmits signal up to **1,500m (4,920ft) over Single-mode fiber** or **500m (1,640ft) over Multi-mode fiber**.
- Expands **one (1) signal up to 16 times** with optical passive splitter (OPS-116S).
- Provides **Self-EDID** function.
- Supports wide operating temp. range, **0-50 degree**.
- Terminated by **SC connector**.
- Provides **Power, LD** (signal transmission) and **SD** (Signal detection) Indicators.
- Supports **Auto-power switching** function.
- Size (WDH): 39 x 68 x 14.6mm
- Certifications: FCC/CE, Class 1 LASER Eye Safety.

### Applications

- Medical imaging system
- Video wall system
- Digital signage
- Military / Aerospace

# One (1) Fiber Detachable DVI Extender, DVFX 110

## Technical Features

Resolution	WUXGA @60Hz
PER (500m)	< 10 at UXGA@60Hz
Bit rate	1.65Gbps / Ch
Self-EDID	Yes
Auto-power switching	Yes
Indicators	Power (Both), LD (Tx), SD (Rx)

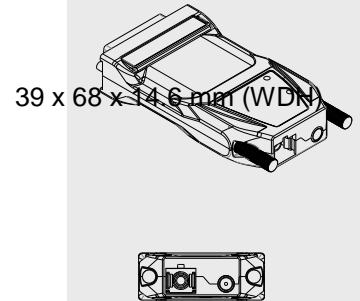
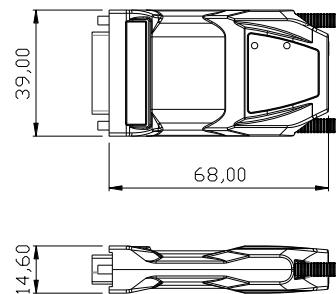
## Optical

Fiber Type	Single-mode, Multi-mode
Number of Fiber	1
Output Connector	SC
Distance	1,500m (4,920ft) over Single-mode fiber, 500m (1,640ft) over Multi-mode fiber
Splitting	Up to 16-channel by optical passive splitter, OPS-116S

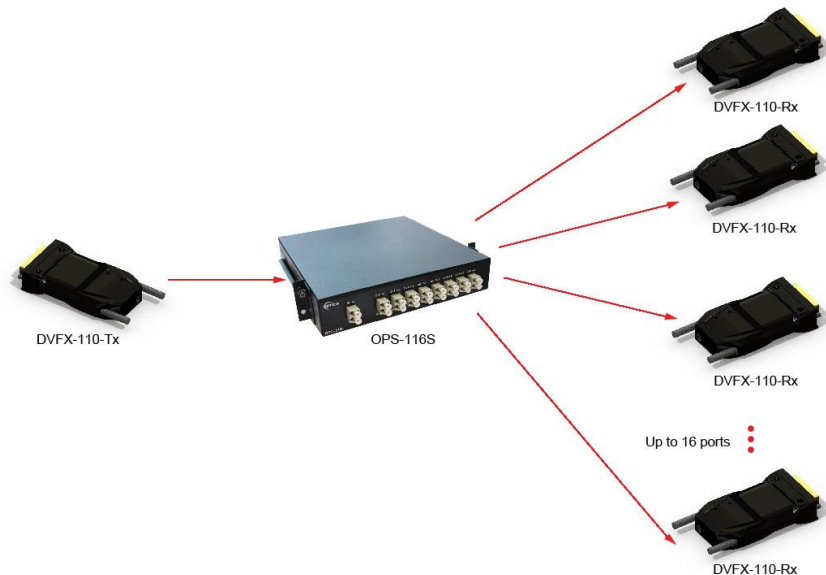
## Physical

Dimension	39 x 68 x 14.6 (mm) (WDH)
Power Level	100-240VAC, 50~60Hz 5VDC @2A
Operating Temperature	0 ~ 50°C
Humidity	10 to 85% RH, non-condensing

## Dimension



## Installation Example



### Optolinks

HQ Address  
46 Corporate Park #130  
Irvine, CA 92606  
949-701-4742  
[info@VigilLink.com](mailto:info@VigilLink.com)

*All contents are subject to be changed without prior notice.*